

TUBE

TUBE is easy to install and has up to double the life span of a traditional fluorescent tube with the added benefit of containing no harmful mercury content.



LED FIXTURES

Applications:

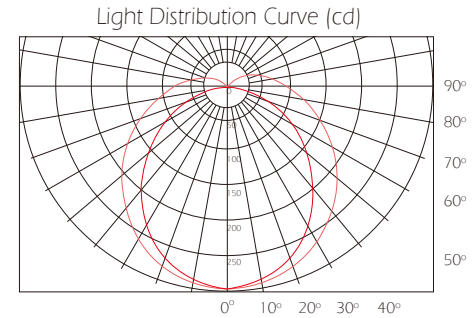
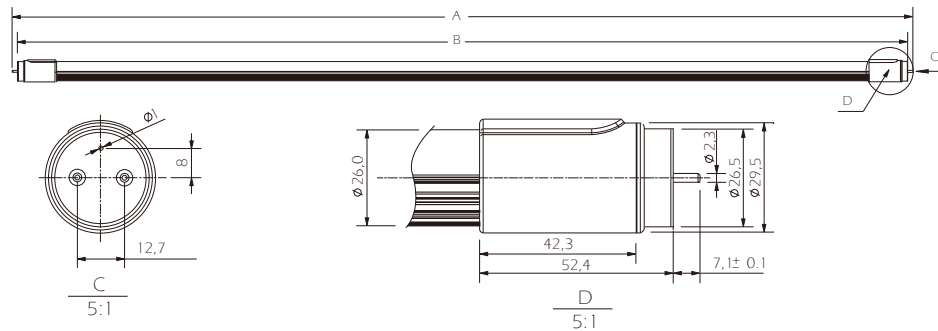
1. Office lighting
2. Shop lighting
3. Corridor lighting
4. Light box & backlight

Features

1. High Efficacy
2. Long Life Span
3. Standard T8 Size
4. Ballast Not Required
5. Start With No Flicker
6. Sophisticated Diffuser

Benefits

1. Cost saving in energy consumption
2. Reduce maintenance costs compared with fluorescent tubes
3. No need to change existing fixture upon replacement
4. Installation is simple and without a ballast is more energy efficient
5. Reduce discomfort to the eyes
6. Minimal glare and without any noticeable hot spot



1200 version	895 version	590 version
A: 1214mm	909mm	604mm
B: 1200mm	895mm	590mm

Part No.	Length	Color	Color Temp ⁽³⁾ (K)	Lumen (lm)	Power Consumption (W)	CRI (Ra)	Beam Angle
20220501AA	1200mm	<input checked="" type="checkbox"/> Warm White	2800	1050	22.5	80	120°
20220701AA	1200mm	<input type="checkbox"/> Natural White	4000	1100	22.5	80	120°
20220601AA	1200mm	<input type="checkbox"/> Daylight	6000	1250	22.5	80	120°
20340501AA	895mm	<input checked="" type="checkbox"/> Warm White	2800	900	21	80	120°
20340701AA	895mm	<input type="checkbox"/> Natural White	4000	950	21	80	120°
20340601AA	895mm	<input type="checkbox"/> Daylight	6000	1100	21	80	120°
20210501AA	590mm	<input checked="" type="checkbox"/> Warm White	2800	600	11.5	80	120°
20210701AA	590mm	<input type="checkbox"/> Natural White	4000	650	11.5	80	120°
20210601AA	590mm	<input type="checkbox"/> Daylight	6000	750	11.5	80	120°

AA indicated approval applicable (and packing detail) : 05 = CE version ; 17 = UL version



- (1) For indoor use only.
- (2) Contents and specifications are subject to change without prior notice.
- (3) Color Temp. (Typical).